

SFM4 INSTRUCTOR SERIES

Operating Manual



SMART FIREARMS
TRAINING DEVICES

Making Shooters Better

Proper training is crucial. Smart Firearms Training Devices has created a revolutionary high-tech training rifle designed for instructors. Our device provides immediate feedback on proper/improper use of force, trigger manipulation, and targeting. Smart Firearms are designed to stop accidental and negligent discharges and to provide the perfect training rifle for your reality-based training program, defense tactics, and firearm instruction.

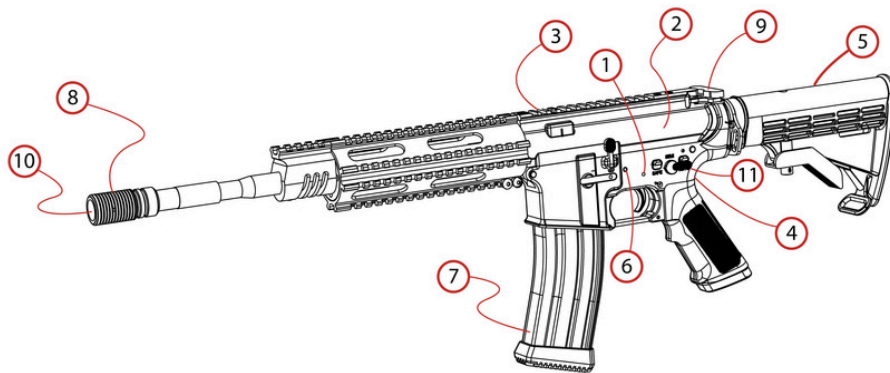
Functions:

The INSTRUCTOR SERIES is the most advanced, high-tech tool for firearms trainers, designed to teach proper handling. The device has many customizable features that help the shooter improve shooting skills and safety. These features allow the user to begin training reloads, malfunctions, and building skills to keep track of loaded rounds.

Features:

- *Accidental Discharge Sensor:* If a finger is placed in the Accidental Discharge Zone (inside the trigger guard) but no shot is fired, an alarm will sound and an orange LED light will flash for 9 seconds, alerting the instructor as well as reinforcing for students the need to index their fingers when not firing.
- *Round Counter:* The INSTRUCTOR SERIES counts the rounds and will cease firing and emitting a laser pulse when all rounds are fired. Magazine must be ejected and replaced to resume firing. The instructor can set the number of rounds.
- *Random Round Count:* The rifle will randomly select a number of rounds and simulate a "jam."
- *Visual Shot/Incursion Indicator:* The rifle will emit a green flashing light for 9 seconds after being fired and an amber flashing light for 9 seconds after each unintentional incursion.

Instructor Series



1. On/off button
2. Speaker
3. Magazine release
4. USB charging port
5. Telescopic stock
6. Charging/incursion/programming light
7. Removable magazine
8. Flash-Hider/Laser Adjustment screws
9. Actionable charging handle.

The INSTRUCTOR SERIES has a unique menu system to set up the device for your training needs. To set up the menu system:

1. Place safety selector switch in semi or full auto.
2. Pull and hold trigger for approximately 10 seconds. The side LED will blink green.
3. Release trigger at the sound of the tone to enter the menu system.

Setting	Option	Description
1	Accidental Discharge Sensor	Toggles accidental discharge alarm (sound and light indicators) on/off
2	Accidental Discharge Sensor Alarm	Toggles accidental discharge alarm (sound indicator only) on/off
3	Shot Sound	Toggles shot sound on/ off
4	Laser Pulse	Access to 4 laser pulse modes
5	Round Counter	Toggles round counter on/off
6	Magazine Capacity	Configures number of rounds in magazine
7	Bluetooth	Toggles Bluetooth on/off
8	Random Jam Mode	Toggles random malfunction on/off
9	<i>future expansion</i>	
10	Intrusion Alert Delay	Configure time delay for finger sensor alert
11	Post Shot Delay	Configure time delay for finger sensor alert after a shot is fired
12	<i>future expansion</i>	
13	<i>future expansion</i>	
14	<i>future expansion</i>	
15	Factory Reset	Returns all settings to factory default

Setting #1: Accidental Discharge Sensor (Sound & Light) On/Off

In Sensor Mode, the Accidental Discharge Sensor will be active so that when a finger is inserted into the trigger guard but the trigger is not pulled, an alarm will sound and an orange LED light on each side of the device will flash for 9 seconds to distinguish which student set off the sensor.

1. Enter the menu (as detailed on page 3).
2. Depress trigger once to select Menu Item 1. The LED on the side of the device will light red with each pull.
3. Wait for gunshot sound, indicating that the finger sensor has been toggled on or off and you have exited the menu.
4. Immediately remove finger from guard. Ensure nothing is in the trigger guard. Do not lay the rifle on its side. If you place it down, set it upside down on a tabletop.
5. Wait approximately 25-30 seconds. During this time the gun will make occasional tones while calibrating. Once calibrated, the rifle will emit two sounds in a row and green LEDs will flash. The training rifle is now ready to be used.
6. To turn off, follow the same procedure except there will be no calibration.

Setting #2: Accidental Discharge Sensor (Sound Only) On/Off

This setting turns off the alarm sound only. The light indicator will still function, allowing trainers to visually see if a finger was inserted into the trigger guard.

1. Enter the menu (as detailed on page 3).
2. Pull trigger twice to select Menu Item 2. The LED on the side of the device will light red with each pull.
3. Wait for gunshot sound, indicating that the finger sensor has been toggled on or off and you have exited the menu.

Setting #3: Toggle Shot Sound On/Off

1. Enter the menu (as detailed on page 3).
2. Pull trigger three times to select Menu Item 3. The LED on the side of the device will light red with each pull.
3. Wait for gunshot sound, indicating that the shot sound has been toggled on or off and you have exited the menu.

Setting #4: Configure Laser Pulse

1. Enter the menu (as detailed on page 3).
2. Pull trigger four times to select Menu Item 4. The LED on the side of the device will light red with each pull.
3. Wait for gunshot sound, indicating that you have entered the laser pulse configuration.
4. Pull trigger once to set it to 100mS; twice for Laser Ammo Dry Fire.
5. Wait for gunshot sound, indicating that the configuration has been selected and you have exited the menu.

Setting #5: Round Counter On/Off

1. Enter the menu (as detailed on page 3).
2. Pull trigger five times to select Menu Item 5. The LED on the side of the device will light red with each pull.
3. Wait for gunshot sound, indicating the round counter has been toggled on or off and you have exited the menu.

Setting #6: Magazine Capacity

1. Enter the menu (as detailed on page 3).
2. Pull trigger six times to select Menu Item 6. The LED on the side of the device will light red with each pull.
3. Wait for gunshot sound, indicating that you have entered the magazine capacity configuration.
4. Pull trigger to set the magazine for the desired number of rounds. (For example, pull trigger 17 times for 17 rounds.)
5. Wait for a gunshot sound, indicating that the magazine capacity has been set and you have exited the menu.

Setting #7: Bluetooth, if equipped (optional feature)

1. Enter the menu (as detailed on page 3).
2. Pull trigger seven times to select Menu Item 7. The LED on the side of the device will light red with each pull.
3. Wait for gunshot sound, indicating that you have entered the Bluetooth configuration.

Setting #8: Random Magazine Malfunction Mode

1. Enter the menu (as detailed on page 3).
2. Pull trigger eight times to select Menu Item 8. The LED on the side of the device will light red with each pull.
3. Wait for gunshot sound, indicating that random jams have been toggled on or off.

Setting #10: Intrusion Alert Delay

- Enter the menu (as detailed on page 3).
- Pull trigger ten times to select Menu Item 10. The LED on the side of the device will light red with each pull.
- Wait for gunshot sound, indicating that you have entered the intrusion alert delay menu.
- Depress trigger the number of times corresponding to the desired delay. Each trigger pull is a half-second. For example, pull trigger once for .5 seconds; twice for 1 second; three times for 1.5 seconds; four times for 2 seconds; and so on.
- Wait for gunshot sound, indicating that the configuration was selected, and exit the menu.

Setting #11: Post-Shot Alert Delay

1. Enter the menu (as detailed on page 3).
2. Pull trigger eleven times to select Menu Item 11. The LED on the side of the device will light red with each pull.
3. Wait for a gunshot sound, indicating that you have entered the post-shot alert delay menu.
4. Depress trigger the number of times to correspond to the desired delay. Each trigger pull is one second. For example, pull trigger once for 1 second; twice for 2 seconds; three times for 3 seconds; four times for 4 seconds; and so on.
5. Wait for gunshot sound, indicating that the configuration was selected, and exit the menu.

[Settings 12-14 are currently inactive, reserved for future expansion]

Setting #15: Factory Reset

1. Enter the menu (as detailed on page 3).
2. Pull trigger fifteen times to select Menu Item 15. The LED on the side of the device will light red with each pull.
3. Wait for gunshot sound, indicating that the device has returned to factory settings and exit the menu.

Connecting to Shotbox Audio or Bluetooth, if equipped (optional feature)

1. Remove magazine.
2. Pull and release trigger to fire remaining round in chamber.
3. Pull and hold trigger.
4. Insert magazine.
5. Release trigger when LED lights red.
6. Turn on Shotbox or press pairing button on Bluetooth speaker.

Change Sight adjustment

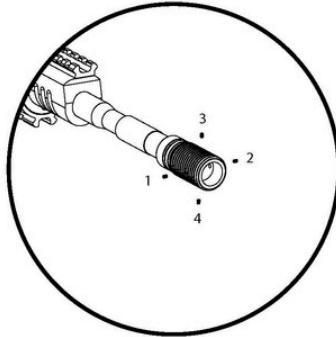
If using included iron sights use included hex key to tighten sights to RAIL. Sight adjustment is accomplished normally. If using RDS sights, follow manufacturer's instructions.

Sight Adjustment (Pro and Basic)

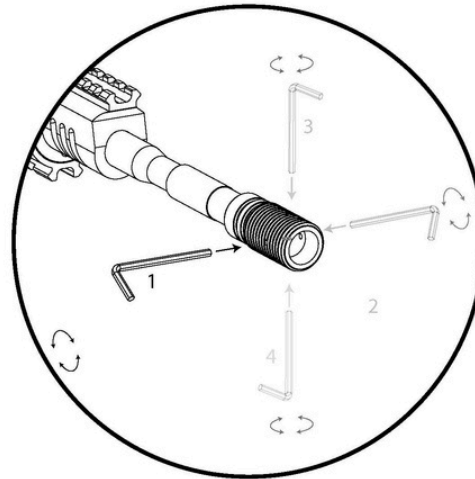
Use included allen key to loosen either front or rear sight. Slide rear sight to desired position and tighten sight.

Laser adjustment

Use included allen key to adjust laser (inside flash-hider) in both elevation and azimuth. The opposite side must be loosened before tightening.



LASER IS SUPPORTED BY
4 SET ALLEN KEY SET SCREWS



CAREFULLY ADJUST EACH SET SCREW UNTIL
LASER IS ACCURATELY ALIGNED WITH YOUR TARGET.
OPPOSING SET SCREWS WILL NEED TO BE ADJUSTED
TO COMPENSATE.

Troubleshooting

My Training Device is making weird noises.

> Plug in and charge training rifle.

My Training Device's side orange LED lights are glowing.

> Plug in and charge training rifle.

My Training Device is not showing all the shots.

> Plug in and charge training rifle.

My Training Device is not shooting.

> Ensure that the magazine is inserted into the device, The training device will not fire unless a magazine is inserted. If the magazine is inserted and is still not shooting, replace the battery. If your device is still not shooting, contact us for further investigation.

My Training Device is acting strange.

> If your device is stored or used in a cold environment it may begin to act strange. Bring the training device into a warm environment. If the device is still acting strange after warming up, contact us for further investigation.

Customer satisfaction is our priority. If you require any assistance, contact us at support@smartfirearms.us.

Important Notes and Warnings

- The INSTRUCTOR SERIES is set to *shot only* mode. Refer to this OPERATING MANUAL to activate the full range of functions. In *shot only* mode, the rifle will make a shot sound when the trigger is pulled. A green LED will emit for 9 seconds to identify that the weapon was fired (useful when multiple training weapons are involved).
- To initially activate the rifle, the battery must be installed correctly into the rifle. Magazine must be in the rifle.
- Both the training rifle and the magazine are weighted. Dropping the rifle on a person or animal can cause injury or death. Weighted magazine can be easily ejected during training. Ensure area below rifle is clear.
- The device does not replace actual firearms instruction.
- Choking hazards: The INSTRUCTOR SERIES training rifle includes small parts that may present a choking hazard for children. Keep these parts away from children.
- The INSTRUCTOR SERIES is designed to simulate the look and feel of actual firearms for more realistic training. These training rifles should never be openly carried or displayed outside of controlled training events as they may be mistaken for a firearm.

Manufacturer Settings (To change manufacturer settings, consult this Operating Manual.)

Shot Sound: On

Accidental Discharge Sensor: Off

Laser Mode 2: Dry Fire

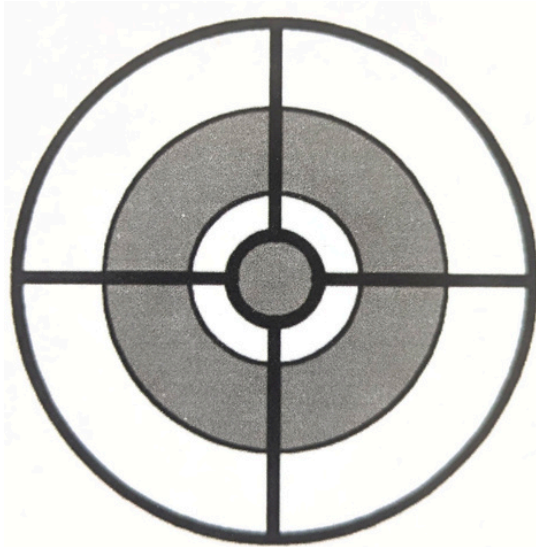
Round Counter: On (default is 30 rounds)

Malfunction: Off

Warranty

All Smart Firearms Training Devices come with a 90-day standard warranty, which can be extended for up to two years from purchase. Contact us at support@smartfirearms.us for warranty questions.

Page left intentionally blank.



SMART FIREARMS
TRAINING DEVICES

Firearm accidents? Not on our watch!

Thank you for your purchase and thank you for your service.

Tempe, Arizona

www.smartfirearms.us

support@smartfirearms.us